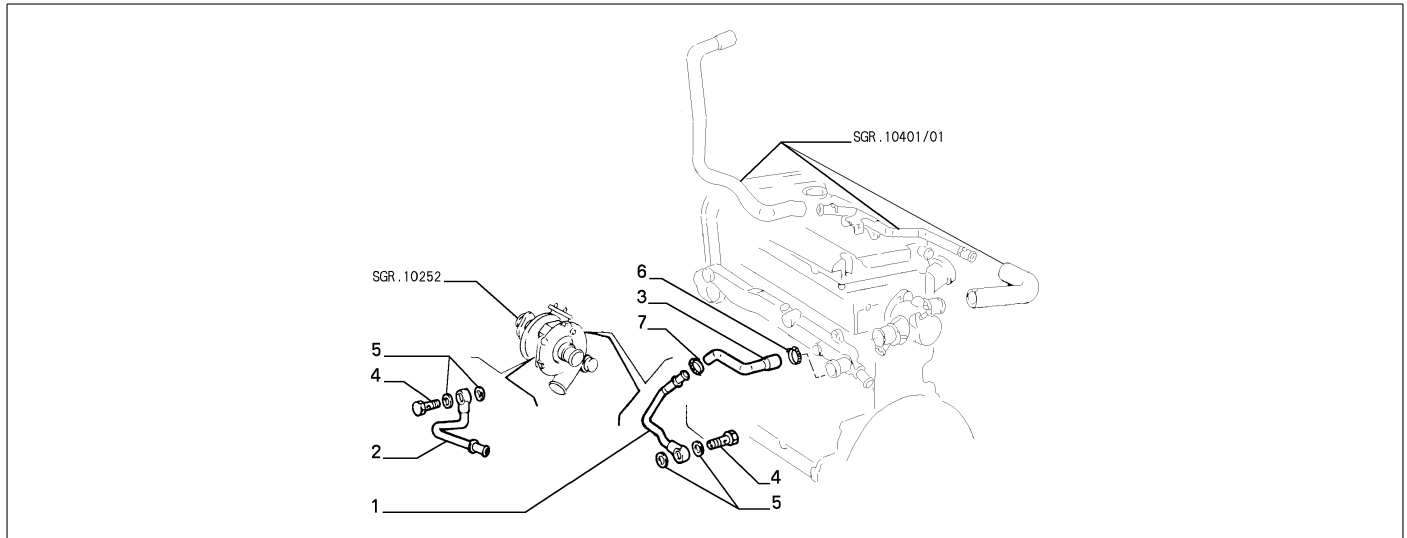


10402/02 - WATER PUMP AND LINES

Catalogue	PX - COUPE' GAMMA'96 (1996-2000)	
Category	[104] COOLING SYSTEM / [10402] WATER PUMP AND LINES	
Var.	03	M3
Rev.	00	



	Prod. Code	Fur. descr.	Compatibility	Modif.	Qty	Notes	Col.	Recondit.
1	46453366	PIPE			01			
2	46463990	HOSE			01			
3	46525553	SLEEVE			01			
4	10185111	UNION			02			
5	10280060	SEAL GASKET			04			
6	13128970	COLLAR			01			
7	13127070	COLLAR			01			

Explanation of codes used in this page

M3 M:2000 20V 5CIL.TB.